

92186

Katrin Plastic Dispenser 500 ml For Commercial Hand Wash, Black

- Same dispenser can be used for Liquid Wash, Foam Wash, Liquid Wash Sanitizer, Toilet Seat Sanitizer, Shower Gel
- The lock can be used with or without a key
- Easy to refill with new soap cartridge system
- The full-face push cover makes using the dispenser effortless for all people
- Braille instructions for visually impaired people



ISO 9001

Country of Origin: Slovakia

Product


| | | | |
|--------------|--------|--------------|----------|
| Length/Depth | 125 mm | Colour | Black |
| Width | 100 mm | Gross weight | 0.319 kg |
| Height | 204 mm | | |

Trading unit

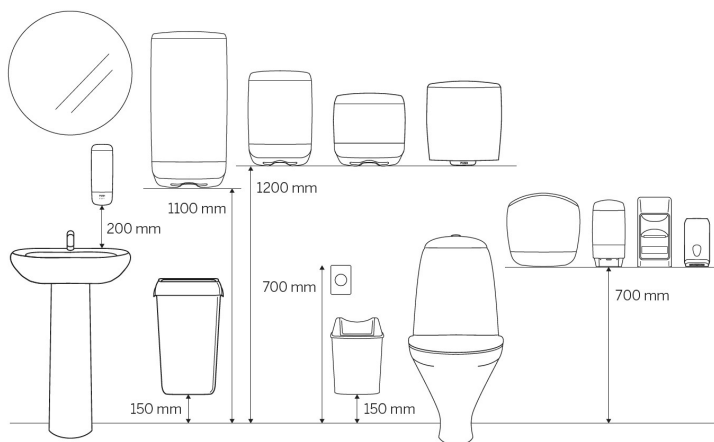
| | | | | |
|--------------|--------|---------------------------------|--------|-----|
| Length/Depth | 134 mm | Gross weight | 0.4 kg | EAN |
| Width | 108 mm | Consumer packs/ trading unit | 1 | |
| Height | 217 mm | | | |



Pallet

| | | | | | |
|--------------|----------|------------------------|-----------|-----|---|
| Length/Depth | 1,200 mm | Gross weight | 151.15 kg | EAN |  |
| Width | 800 mm | Trading units / pallet | 315 | | |
| Height | 1,235 mm | | | | |

Measurements and Installing



Related products

Selection from all countries. Please refer to web page for market-specific availability.



37780
Katrin Foam Soap Neutral
500 ml



47543
Katrin Head and Body
Wash 500 ml



57870
Katrin Liquid Soap Neutral
500 ml



954311
Katrin Toilet Seat Sanitizer
500 ml

This leaflet is provided for information purposes only and no liability of any kind is accepted for potential errors or inaccuracies. Metsä Tissue reserves the right to alter its products, product information and product range without any notice.