

82117

Katrin Plastic Dispenser Small For Jumbo Toilet Paper Roll, White

Katrin Gigant S Toilet Paper Dispenser in white is a compact jumbo toilet roll solution for high-traffic washrooms. Designed for S-sized Gigant jumbo rolls, it ensures smooth dispensing and full toilet roll usage with its integrated stub roll holder. The flexible brake system allows easy tear-off from any angle, while the clean white finish suits any interior. Ideal for commercial spaces, industrial facilities and schools and daycare centers that demand performance and reliability.



- Compatible with S-sized Gigant jumbo rolls – compact format for high-traffic use
- Stub roll holder ensures every roll is used to the end, minimizing waste
- Flexible roll brake ensures smooth and controlled dispensing from all angles
- Easy tear-off and no searching for the paper end
- Lockable design – secure and tamper-resistant
- Clean white finish blends into any washroom style


ISO 9001 ISO 14001

Country of Origin: France


Product

Length/Depth	151.000 mm	Colour	White
Width	239.000 mm	Gross weight	0.798 kg
Height	245.000 mm		

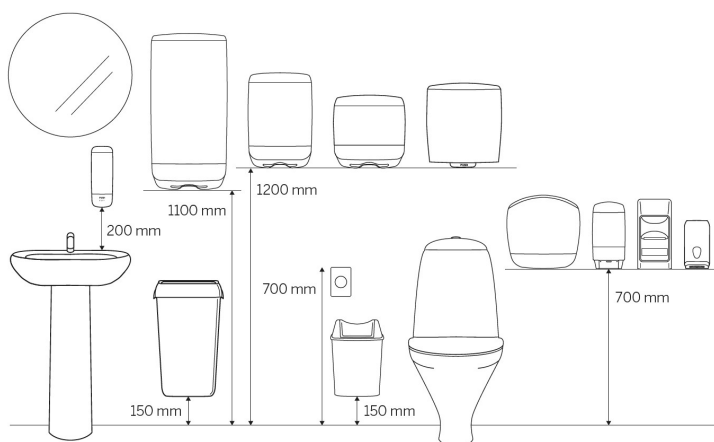
Trading unit

Length/Depth	244.000 mm	Gross weight	0.944 kg	EAN	 6 4 14301 082117
Width	154.000 mm	Consumer packs/ trading unit	1		
Height	254.000 mm				

Pallet

Length/Depth	1,200.000 mm	Gross weight	119.550 kg	EAN	 6 4 14301 082124
Width	800.000 mm	Trading units / pallet	100		
Height	1,166.000 mm				

Measurements and Installing



Related products

Selection from all countries. Please refer to web page for market-specific availability.



106101
Katrin Jumbo Toilet Paper Roll Small
200 Metres 2-Ply



117873
Katrin Jumbo Toilet Paper Roll Small
265 Metres 1-Ply



108925
Katrin Plus Jumbo Toilet Paper Roll
Small 2-Ply

This leaflet is provided for information purposes only and no liability of any kind is accepted for potential errors or inaccuracies. Metsä Tissue reserves the right to alter its products, product information and product range without any notice.