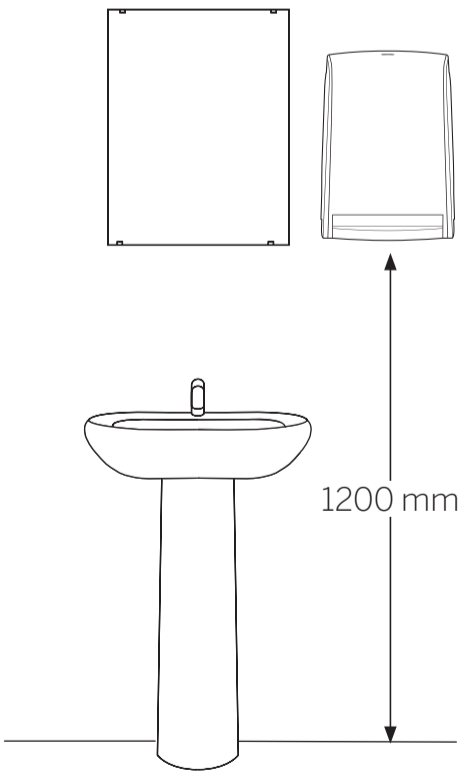
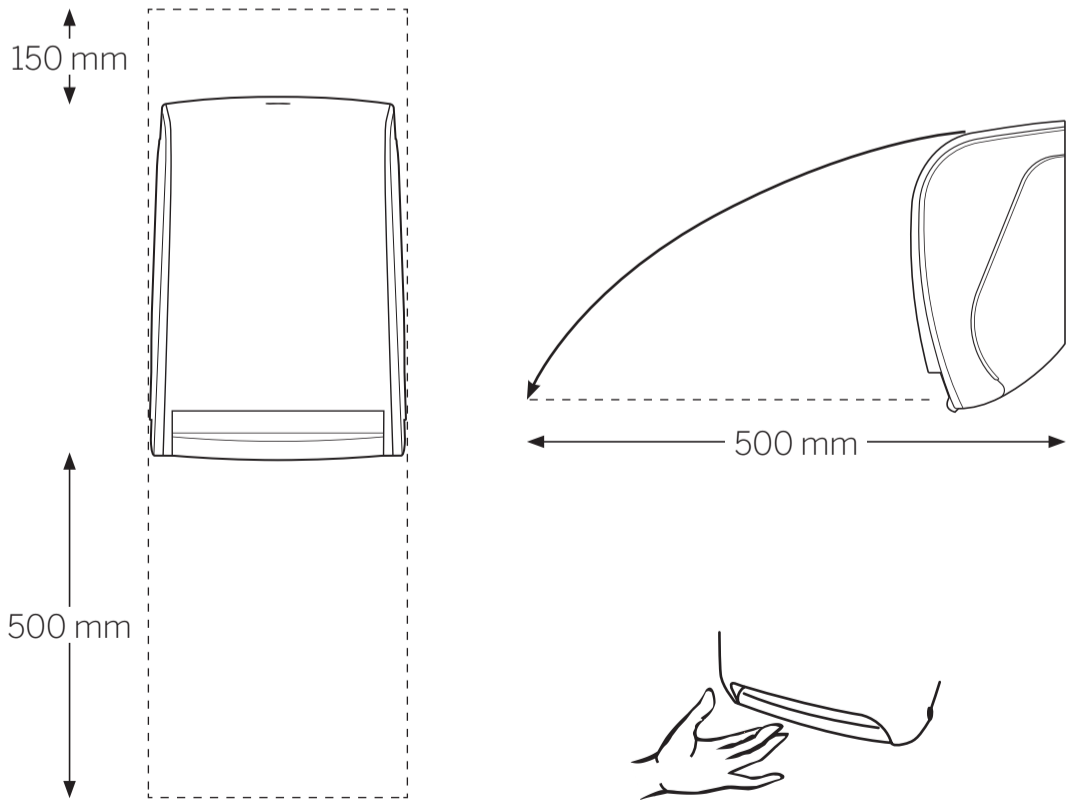
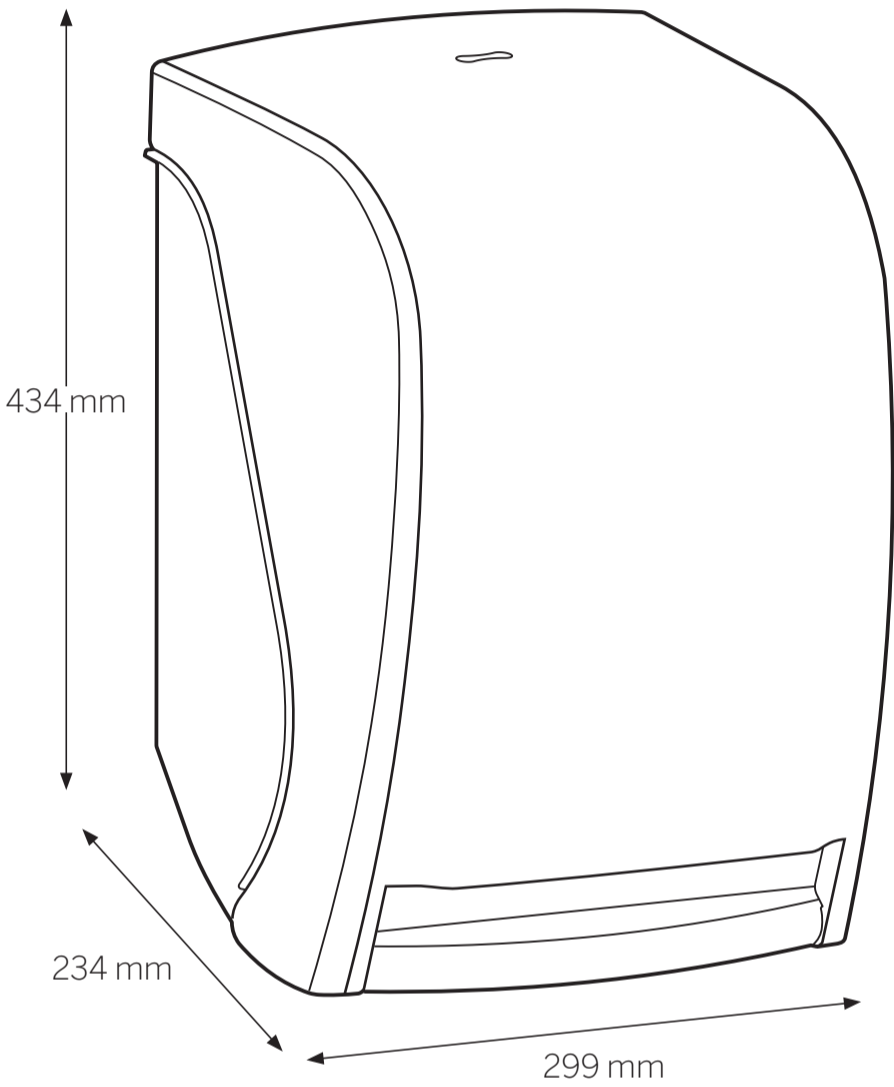
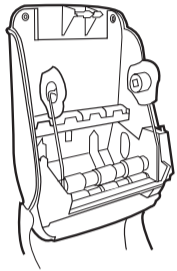


93701,104438

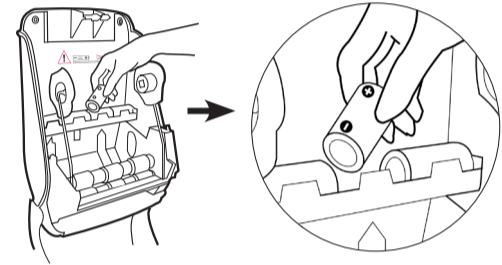
KATRIN System Towel Electric Dispenser



1.



2.

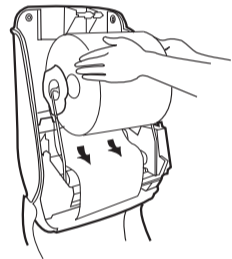


*4 D-cell
alkaline only*



*DO NOT USE
rechargeable batteries*

3.



4.

