

77410

Katrin Plastic Dispenser Medium For Paper Hand Towels Folded, White

Katrin Hand Towel Dispenser M in white is a versatile solution for medium-traffic washrooms. It combines efficient sheet-by-sheet dispensing with the flexibility to use any folded towel type. As part of the Katrin Freedom of Choice concept, it supports all folded towel types—making it a smart, future-proof solution adapting to changing hygiene requirements without needing to change dispensers. Ideal for offices, restaurants, and public facilities.



- Market favorite – Katrin Hand Towel Dispenser M size combines optimal capacity with compact design, making it the most popular choice for a wide range of washrooms from offices to public facilities, thanks to its reliable performance, easy maintenance, and universal towel compatibility.
- Sheet-by-sheet dispensing with full compatibility across all folded towels and sheet types – plus a wide Katrin range in two quality grades Katrin and Katrin Plus to match every need.
- Transparent side and back panels – allow easy installation and quick visual checks for refill needs, saving time and improving service efficiency.
- The cover opens upwards for easy refilling.
- Durable ABS plastic is light and built for daily use.
- Neutral white finish – suits any washroom style.


ISO 9001 ISO 14001

Country of Origin: Romania


Product

Length/Depth	142 mm	Colour	White
Width	301 mm	Gross weight	1.550 kg
Height	445 mm		

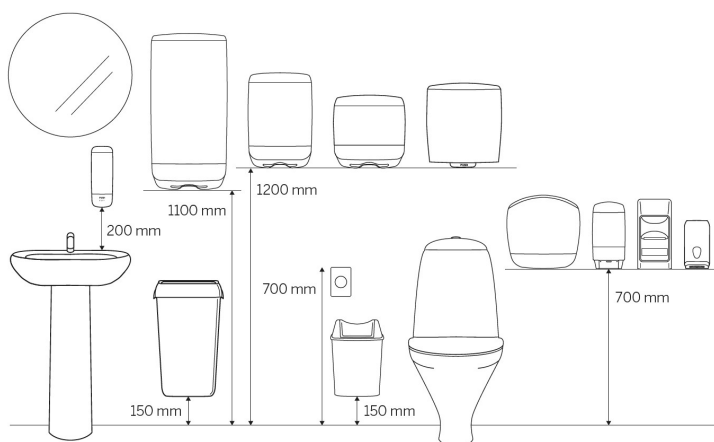
Trading unit

Length/Depth	456 mm	Gross weight	1.845 kg	EAN	 6 4 14301 0774 10
Width	310 mm	Consumer packs/ trading unit	1		
Height	163 mm				

Pallet

Length/Depth	1,200 mm	Gross weight	89.725 kg	EAN	 6 4 14301 0774 27
Width	800 mm	Trading units / pallet	35		
Height	1,128 mm				

Measurements and Installing



Related products

Selection from all countries. Please refer to web page for market-specific availability.



343367

Katrin C-fold Paper Towels
100 Sheets 2-Ply



35311

Katrin Plus V-fold Paper
Towels Zig Zag 200 Sheets
2-Ply, Handy Pack



83114

Katrin Plus V-fold Paper
Towels Zig Zag 300 Sheets
1-Ply



61600

Katrin Plus W-fold Paper
Towels Non-Stop Long 90
Sheets 3-Ply, Handy Pack



61563

Katrin Plus W-fold Paper
Towels Non-Stop Long
Wide 90 Sheets 3-Ply,
Handy Pack



87181

Katrin Plus Z-fold Paper
Towels Non-Stop Medium
135 Sheets 2-Ply, Handy
Pack



38893

Katrin Plus Z-fold Paper
Towels Non-Stop Medium
EasyFlush 150 Sheets
2-Ply



45570

Katrin V-fold Paper Towels
Zig Zag 200 Sheets 2-Ply,
Handy Pack



61594

Katrin W-fold Paper Towels
Non-Stop Long 120 Sheets
2-Ply, Handy Pack



95193

Katrin W-fold Paper Towels
Non-Stop Long 135 Sheets
2-Ply, Handy Pack



61549

Katrin W-fold Paper Towels
Non-Stop Long Wide 120
Sheets 2-Ply, Handy Pack



61556

Katrin W-fold Paper Towels
Non-Stop Long Wide 90
Sheets 3-Ply, Handy Pack



61570

Katrin Z-fold Paper Towels
Non-Stop Medium Wide
160 Sheets 2-Ply, Handy
Pack

This leaflet is provided for information purposes only and no liability of any kind is accepted for potential errors or inaccuracies. Metsä Tissue reserves the right to alter its products, product information and product range without any notice.