

82070

Katrin Plastic Dispenser For System Paper Towel Roll, Black

Katrin System Hand Towel Dispenser in black delivers robust performance and sleek design for modern commercial washrooms. Designed for controlled sheet-by-sheet dispensing, it reduces consumption and improves hygiene by ensuring users only touch the towel they use. With high-capacity rolls and zero-waste usage, it's a smart solution for high traffic washrooms. The black finish adds a professional touch, making it ideal for corporate offices, hospitality venues, and public facilities.



- Controlled sheet-by-sheet dispensing – reduces waste and improves hygiene
- High-capacity System Towel paper rolls – fewer refills
- Paper consumption is easy to control, thanks to the transparent side panels
- Designed to function: Low pull force cutting unit and customized Anti-jam cutting unit design
- Locks on both sides of the dispenser for more flexibility when the dispenser is to be opened
- Durable ABS plastic – long-lasting and easy to clean
- Stylish black finish matches Katrin Inclusive plastic dispenser and waste bin range

ISO 9001 **ISO 14001**

Country of Origin: Slovakia

Product

Length/Depth	216 mm	Colour	Black
Width	322 mm	Gross weight	2.940 kg
Height	397 mm		

Trading unit

Length/Depth 418 mm

Gross weight 3.42 kg

EAN



Width 331 mm

Consumer packs/
trading unit 1

Height 248 mm

Pallet

Length/Depth 1,200 mm

Gross weight 107.23 kg

EAN

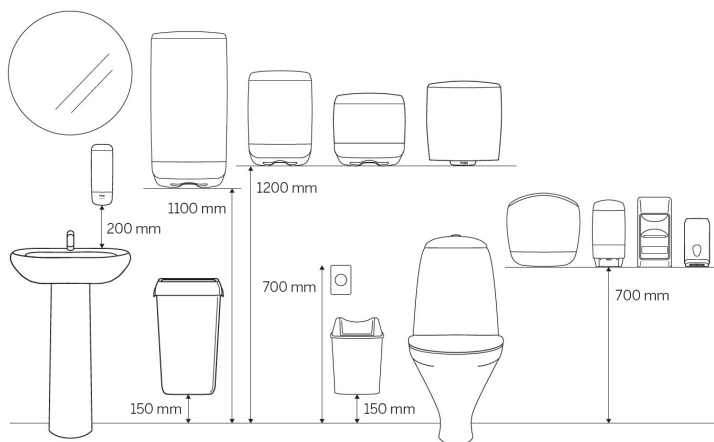


Width 800 mm

Trading units / pallet 24

Height 1,142 mm

Measurements and Installing



Related products

Selection from all countries. Please refer to web page for market-specific availability.



460232
Katrin Dispenser Paper
Towel Roll System Large
2-Ply



97401
Katrin Dispenser Paper
Towel Roll System Medium
1-Ply



460201
Katrin Dispenser Paper
Towel Roll System Medium
1-Ply



460218
Katrin Dispenser Paper
Towel Roll System Medium
1-Ply, Blue



97425
Katrin Dispenser Paper
Towel Roll System Medium
2-Ply



460102
Katrin Dispenser Paper
Towel Roll System Medium
2-Ply



58198
Katrin Dispenser Paper
Towel Roll System Medium
2-Ply



460263
Katrin Dispenser Paper
Towel Roll System Medium
2-Ply, Blue



82537
Katrin Plus Dispenser
Paper Towel Roll System



38015
Katrin Plus Dispenser
Paper Towel Roll System
M 3-Ply



94950
Katrin Plus Dispenser
Paper Towel Roll System
Medium 2-Ply



97449
Katrin Plus Dispenser
Paper Towel Roll System
Medium 2-Ply



460058
Katrin Plus Dispenser
Paper Towel Roll System
Medium 2-Ply



58167
Katrin Plus Dispenser
Paper Towel Roll System
Medium 2-Ply



57795
Katrin Plus Dispenser
Paper Towel Roll System
Medium 2-Ply

This leaflet is provided for information purposes only and no liability of any kind is accepted for potential errors or inaccuracies. Metsä Tissue reserves the right to alter its products, product information and product range without any notice.